

WWW.ANTEC.RUBRAK.RU  
ELECTROMAGNETIC DISC BRAKES

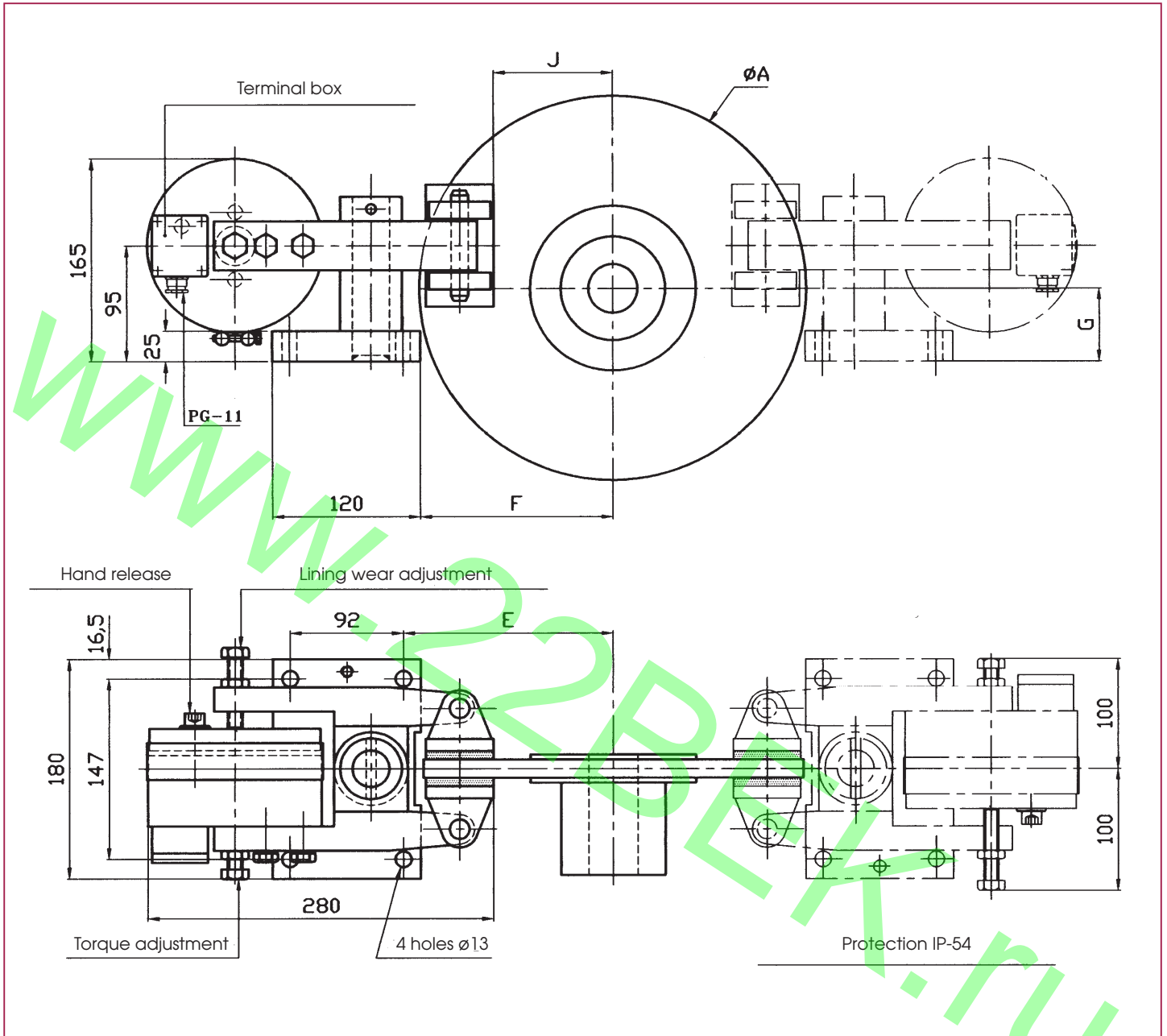


APLICACION NUEVAS TECNOLOGIAS ANTEC, S.A.



# DISC BRAKE TYPE 66E 15/30

52.121



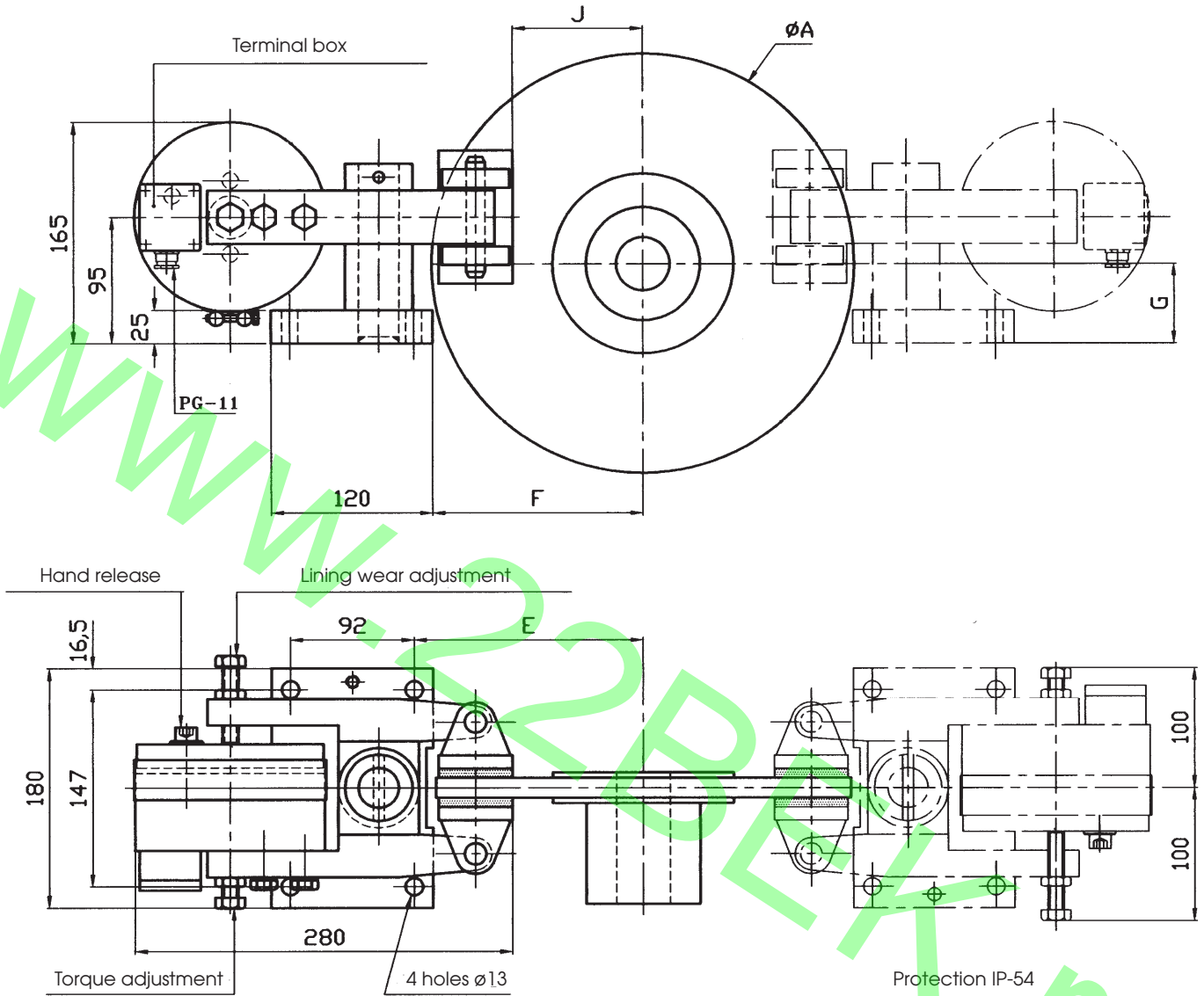
<b>DISC SIZE <math>\phi</math></b>	<b>A</b>	175	220	260	315	355	395	445	495	550	625
<b>Braking torque Nm Regulated from (40-100%)</b>	<b>1 caliper</b>	65	75	85	115	135	155	175	200	225	260
	<b>2 calipers</b>	130	150	170	230	270	310	350	400	450	520
<b>Reaction on the shaft N</b>	<b>1 caliper</b>	895	895	895	895	895	895	895	895	895	895
	<b>2 calipers</b>	125	110	90	140	150	185	205	200	180	215
<b>Control unit</b>		AC-6 AP-6					Reaction time 0,5 sec.				
<b>Power</b>	<b>W</b>	160 W									
<b>Weight</b>	<b>Kg</b>	18									
	<b>E</b>	118	128	143	173	192	213	238	263	293	328
	<b>F</b>	104	114	129	159	178	199	224	249	279	314
	<b>G</b>	85	85	85	75	70	60	50	45	45	25
	<b>J</b>	40	50	65	95	115	135	160	185	215	250

ANTEC guards for itself the right to modify dimensions or construction.



# DISC BRAKE TYPE 65E 15/30

52.123



<b>DISC SIZE <math>\phi</math></b>	<b>A</b>	175	220	260	315	355	395	445	495	550	625
<b>Braking torque Nm Regulated from (0-100%)</b>	<b>1 caliper</b>	145	165	195	255	295	340	390	440	500	575
	<b>2 calipers</b>	290	330	390	510	590	680	780	880	1.000	1.150
<b>Reaction on the shaft N</b>	<b>1 caliper</b>	1.975	1.975	1.975	1.975	1.975	1.975	1.975	1.975	1.975	1.975
	<b>2 calipers</b>	270	240	205	305	335	405	450	445	390	475
<b>Control unit</b>		BEC-3 BEP-3					Reaction time 0,15 sec.				
<b>Power</b>	<b>W</b>	Impulse: 900W - Economy: 30W									
<b>Weight</b>	<b>Kg</b>	18									
	<b>E</b>	118	122	143	173	192	213	238	263	293	328
	<b>F</b>	104	108	129	159	178	199	224	249	279	314
	<b>G</b>	85	85	85	75	70	60	50	45	45	25
	<b>J</b>	40	50	65	95	115	135	160	185	215	250

ANTEC guards for itself the right to modify dimensions or construction.

0497

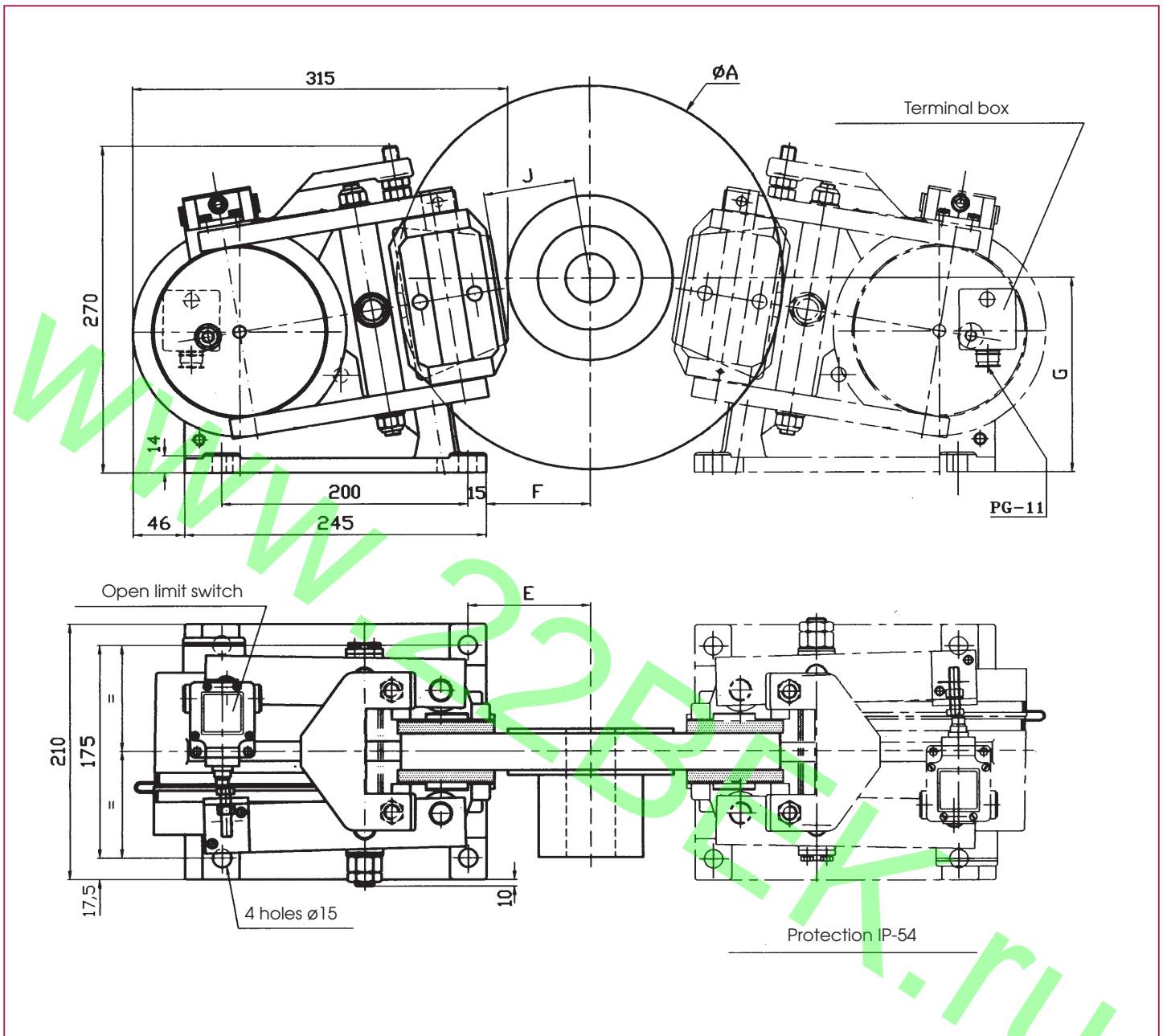
APLICACION NUEVAS TECNOLOGIAS ANTEC, S.A.

Ramón y Cajal, 74 - Tels. 34-4-496 50 11 - 34-4-495 84 51 - Fax 34-4-496 53 37 - 48920 PORTUGALETE (Vizcaya) SPAIN



# DISC BRAKE TYPE 5E

52.322



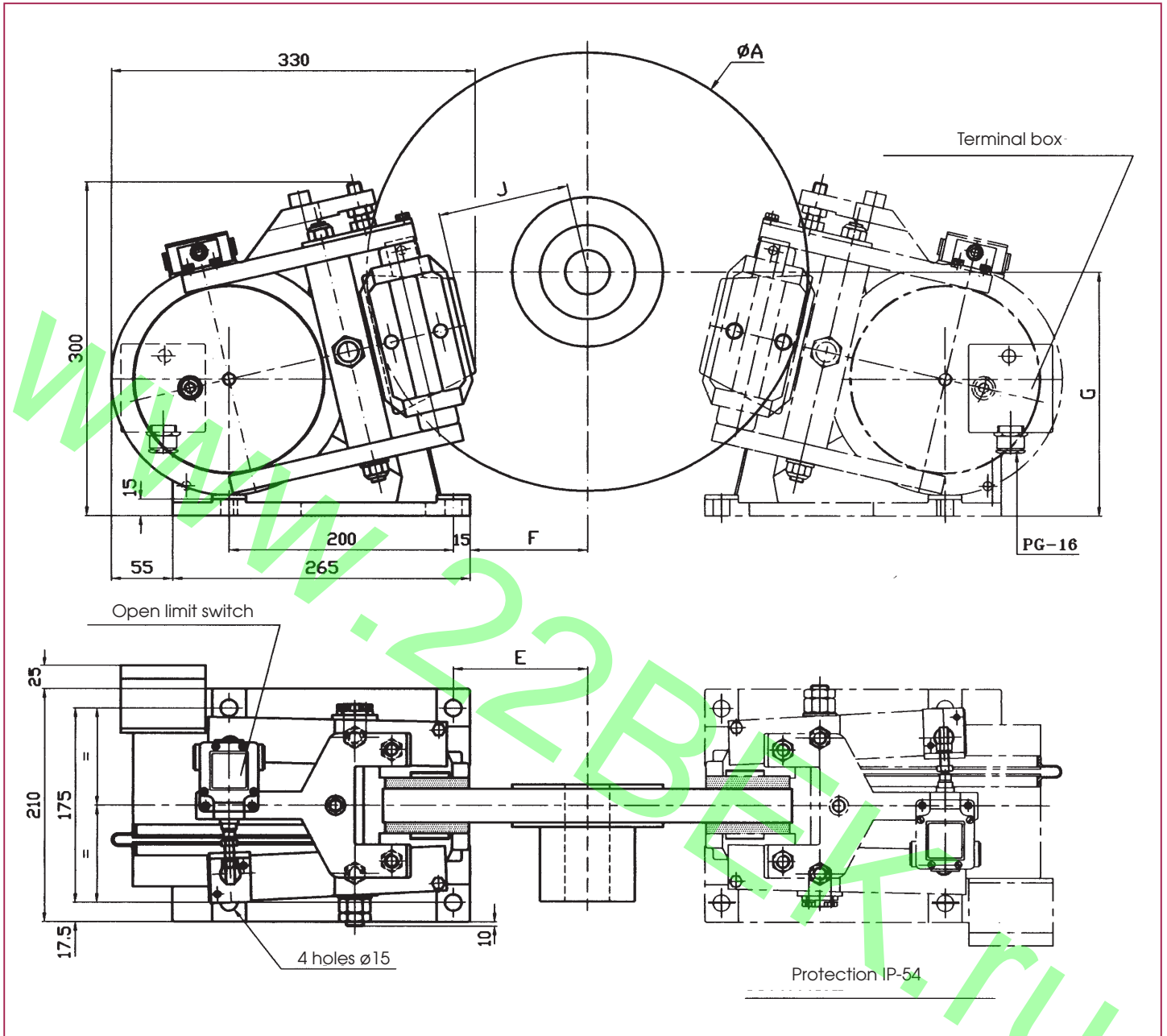
<b>DISC SIZE Ø</b>	<b>A</b>	200	220	240	260	280	315	355	395	445	495	550	625
<b>Braking torque Nm Regulated from (25-100%)</b>	<b>1 caliper</b>	150	155	175	190	205	230	276	318	362	424	488	563
	<b>2 calipers</b>	300	310	350	380	410	460	552	636	724	848	977	1.126
<b>Reaction on the shaft N</b>	<b>1 caliper</b>	2.050	2.050	2.050	2.050	2.050	2.050	2.050	2.050	2.050	2.050	2.050	2.050
	<b>2 calipers</b>	660	640	660	620	680	610	670	710	850	830	890	920
<b>Control unit</b>		BEC-3 BEP-3						Reaction time 0,15 sec.					
<b>Power</b>	<b>W</b>	Impulse: 900W - Economy: 30W											
<b>Weight</b>	<b>Kg</b>	35											
	<b>E</b>	60	62	72	78	87	100	120	140	160	190	220	255
	<b>F</b>	45	47	57	63	72	85	105	125	145	175	205	240
	<b>G</b>	155	155	157	157	160	160	165	170	180	185	195	205
	<b>J</b>	25	30	40	45	55	65	85	105	130	160	190	230

ANTEC guards for itself the right to modify dimensions or construction.



# DISC BRAKE TYPE 54E

52.324



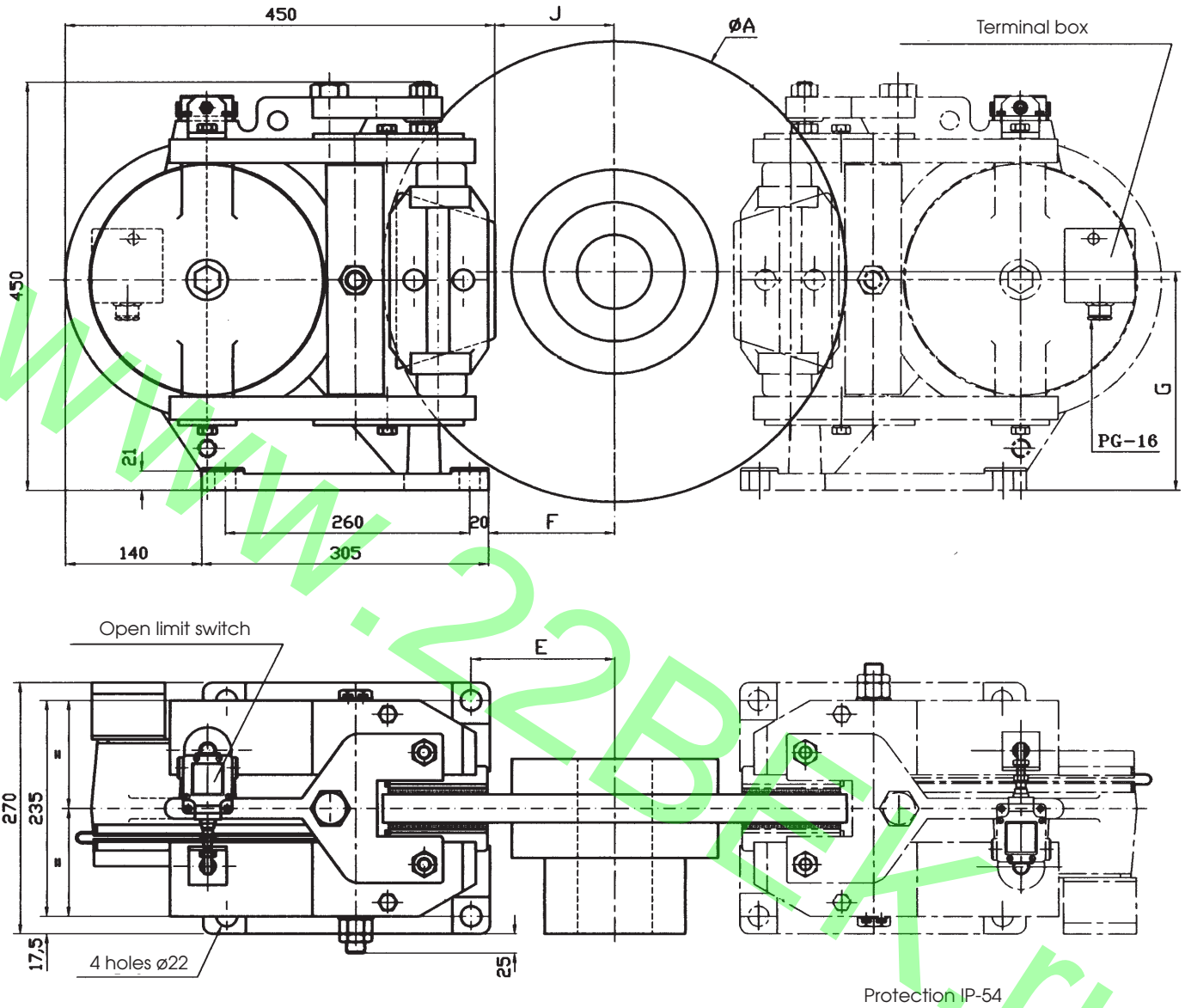
<b>DISC SIZE Ø</b>	<b>A</b>	315	355	395	445	495	550	625	795
<b>Braking torque Nm Regulated from (50-100%)</b>	<b>1 caliper</b>	490	570	650	760	860	970	1.120	1.460
	<b>2 calipers</b>	980	1.140	1.300	1.520	1.720	1.940	2.240	2.920
<b>Reaction on the shaft N</b>	<b>1 caliper</b>	4.090	4.090	4.090	4.090	4.090	4.090	4.090	4.090
	<b>2 calipers</b>	3.250	3.070	2.940	2.760	2.630	2.670	2.620	2.240
<b>Control unit</b>		BEC-2 BEP-2 BEC-3 BEP-3				Reaction time 0,2 sec.			
<b>Power</b>	<b>W</b>	Impulse: 1.200W - Economy: 40W							
<b>Weight</b>	<b>Kg</b>	44							
	<b>E</b>	80	100	120	145	170	195	230	314
	<b>F</b>	65	85	105	130	155	180	215	299
	<b>G</b>	210	215	220	225	230	240	250	260
	<b>J</b>	70	95	115	140	165	190	225	310

ANTEC guards for itself the right to modify dimensions or construction.



# DISC BRAKE TYPE 4E

52.326



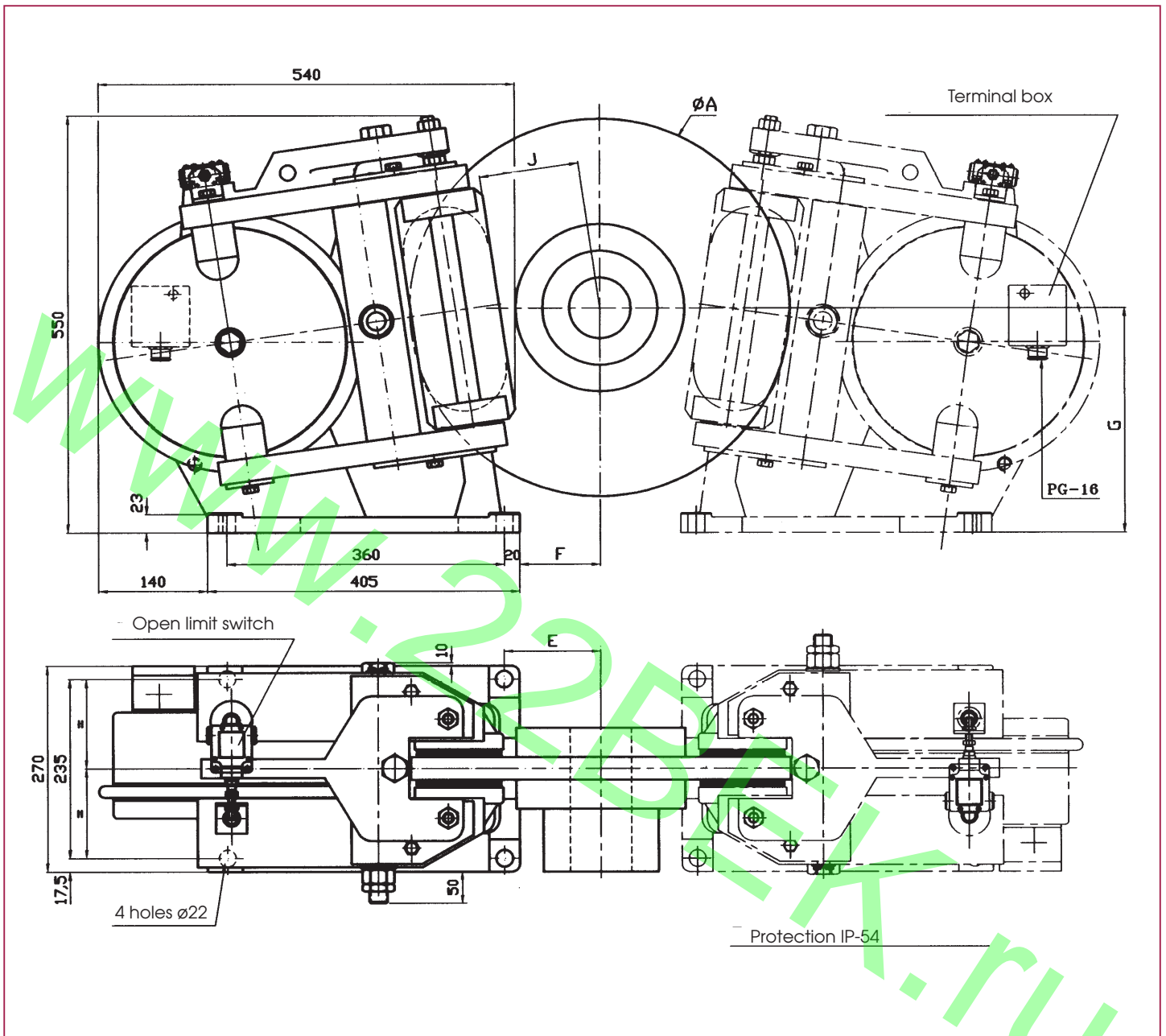
<b>DISC SIZE Ø</b>	<b>A</b>	445	495	550	625	705	795
<b>Braking torque Nm Regulated from (25-100%)</b>	<b>1 caliper</b>	1.350	1.560	1.770	2.060	2.400	2.740
	<b>2 calipers</b>	2.700	3.120	3.540	4.120	4.800	5.480
<b>Reaction on the shaft N</b>	<b>1 caliper</b>	8.230	8.230	8.230	8.230	8.230	8.230
	<b>2 calipers</b>	0	870	1.150	1.640	1.980	2.470
<b>Control unit</b>		BEC-2 BEP-2 BEC-3 BEP-3		Reaction time 0,2 sec.			
<b>Power</b>	<b>W</b>	Impulse: 1.200W - Economy: 40W					
<b>Weight</b>	<b>Kg</b>	110					
	<b>E</b>	130	155	180	215	255	295
	<b>F</b>	110	135	160	195	235	275
	<b>G</b>	225	235	240	250	260	275
	<b>J</b>	100	125	210	185	225	265

ANTEC guards for itself the right to modify dimensions or construction.



# DISC BRAKE TYPE 3E

52.328



<b>DISC SIZE Ø</b>	<b>A</b>	445	495	550	625	705	795	995
<b>Braking torque Nm Regulated from (25-100%)</b>	<b>1 caliper</b>	2.480	2.860	3.250	3.790	4.420	5.060	6.640
	<b>2 calipers</b>	4.960	5.720	6.500	7.580	8.840	10.120	13.280
<b>Reaction on the shaft N</b>	<b>1 caliper</b>	15.250	15.250	15.250	15.250	15.250	15.250	15.250
	<b>2 calipers</b>	1.130	640	2.000	2.940	4.090	4.950	3.430
<b>Control unit</b>		BEC-2 BEP-2			Reaction time 0,3 sec.			
<b>Power</b>	<b>W</b>	Impulse: 3.000W - Economy: 80W						
<b>Weight</b>	<b>Kg</b>	165						
	<b>E</b>	100	125	150	185	225	265	370
	<b>F</b>	80	105	130	165	205	245	350
	<b>G</b>	285	295	305	315	330	345	340
	<b>J</b>	100	125	150	185	230	270	375

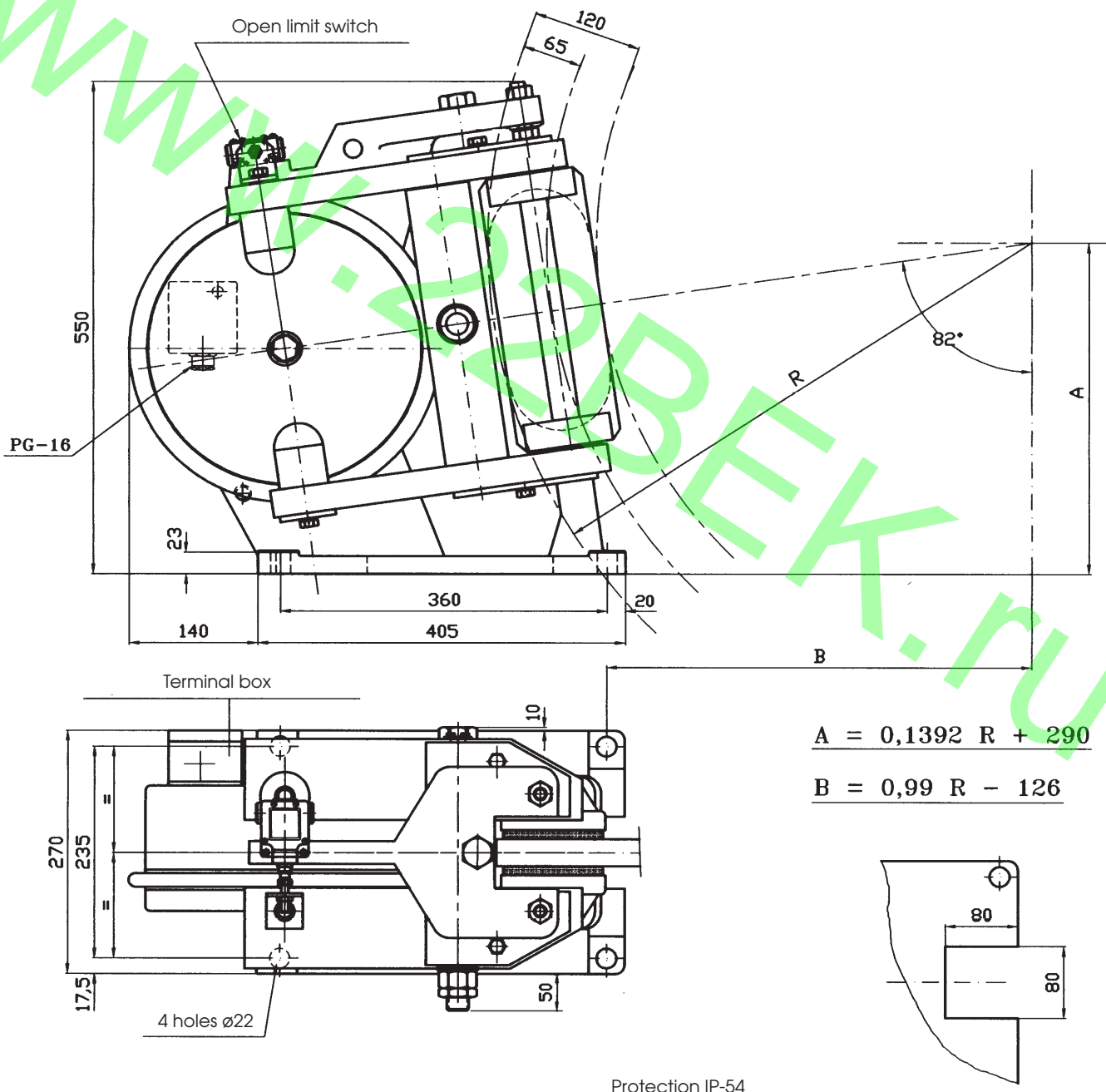
ANTEC guards for itself the right to modify dimensions or construction.



## DISC BRAKE TYPE S-2

52.521

Minimum braking force: 20.000 N.  
Maximum lineal speed of disc: 30 m/s.  
Weight: 165 kg.  
Power Impulse: 3.000 W.    Economy: 80 W.  
Reaction time:  
    Release: 0,6 sec.  
    Brake: 0,1 sec.  
Disc thickness: 30 - 40 mm.



ANTEC guards for itself the right to modify dimensions or construction.

0497

APLICACION NUEVAS TECNOLOGIAS ANTEC, S.A.

Ramón y Cajal, 74 - Tels. 34-4-496 50 11 - 34-4-495 84 51 - Fax 34-4-496 53 37 - 48920 PORTUGALETE (Vizcaya) SPAIN

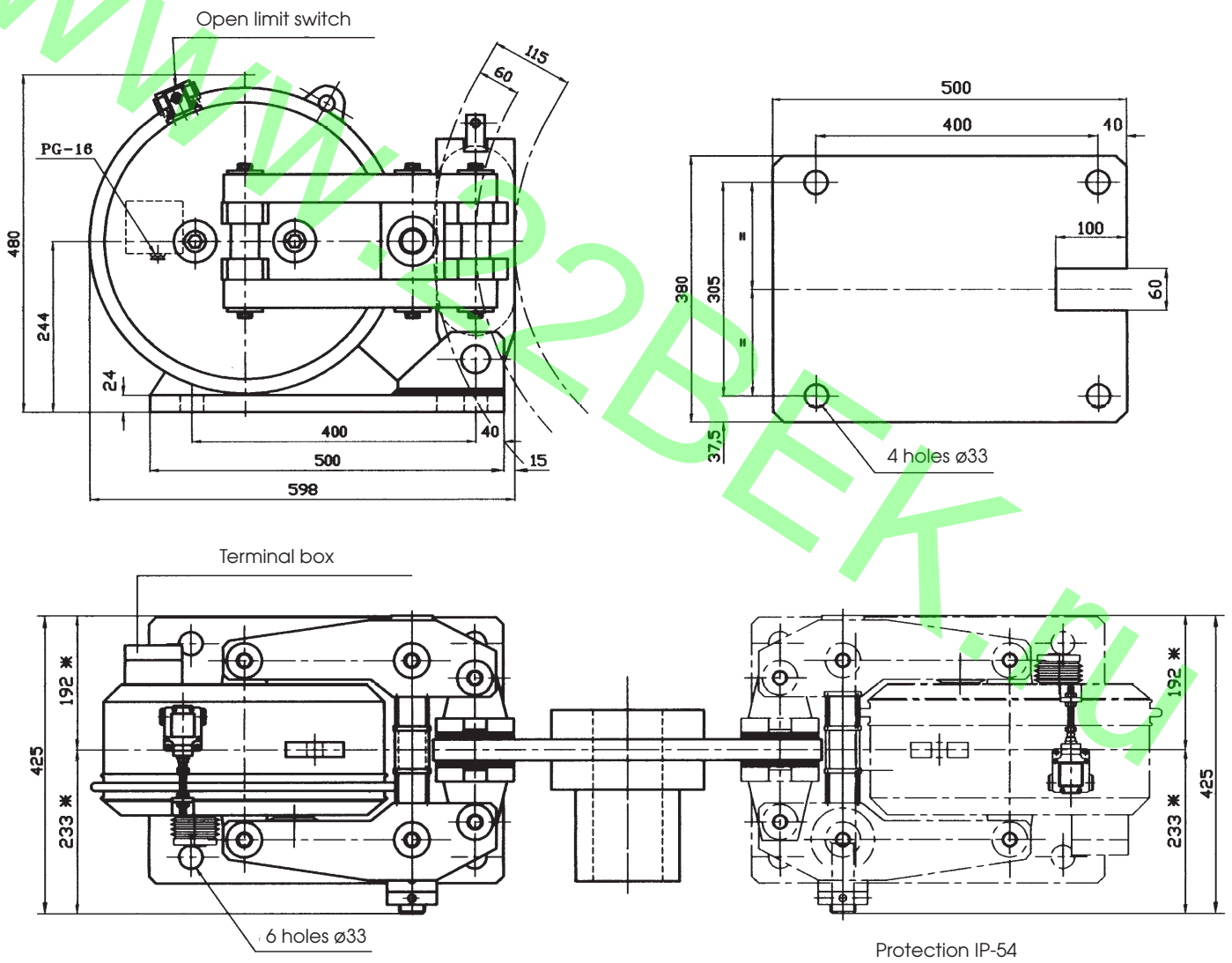




## DISC BRAKE TYPE S-1T

52.524

Minimum braking force: 49.000 N.  
Maximum lineal speed of disc: 30 m/s.  
Weight: 280 kg.  
Power Impulse: 5.000 W.    Economy: 160 W.  
Reaction time:  
    Release: 0,8 sec.  
    Brake: 0,2 sec.  
Disc thickness: 30 - 42 mm.



NOTE: \*Dimensions 192 and 233 are interchangeable

ANTEC guards for itself the right to modify dimensions or construction.

0497

**APLICACION NUEVAS TECNOLOGIAS ANTEC, S.A.**

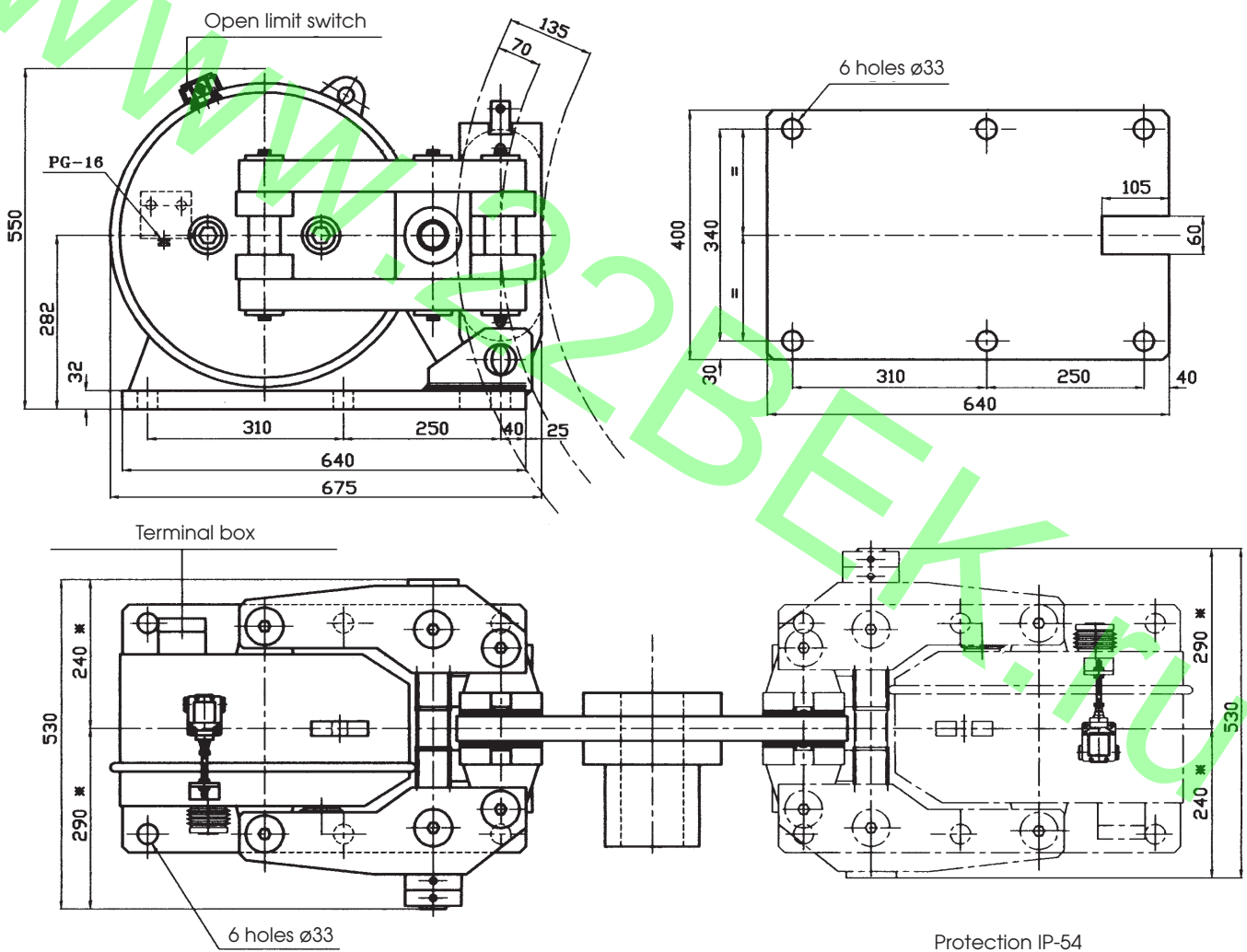
Ramón y Cajal, 74 - Tels. 34-4-496 50 11 - 34-4-495 84 51 - Fax 34-4-496 53 37 - 48920 PORTUGALETE (Vizcaya) SPAIN



## DISC BRAKE TYPE S-OT

52.527

Minimum braking force: 90.000 N.  
Maximum lineal speed of disc: 30 m/s.  
Weight: 500 kg.  
Power Impulse: 7.000 W.    Economy: 300 W.  
Reaction time:  
    Release: 0,8 sec.  
    Brake: 0,2 sec.  
Disc thickness: 30 - 42 mm.



NOTE: \*Dimensions 240 and 290 are interchangeable

ANTEC guards for itself the right to modify dimensions or construction.

0497

**APLICACION NUEVAS TECNOLOGIAS ANTEC, S.A.**

Ramón y Cajal, 74 - Tels. 34-4-496 50 11 - 34-4-495 84 51 - Fax 34-4-496 53 37 - 48920 PORTUGALETE (Vizcaya) SPAIN



**DESCRIPTION AND OPERATION**

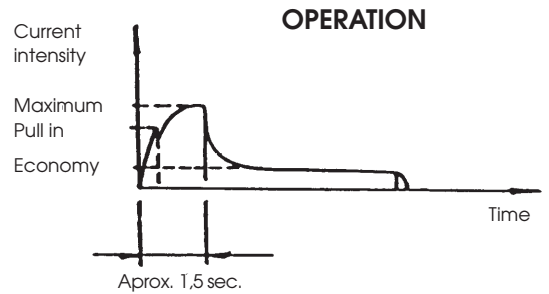
- A power supply suitable for rectifying and modulating electric current and providing sufficient pulse and economy power to activate the calipers.
- Instant caliper drop and braking.
- Available in two versions: unprotected, on an IP-00 mounting plate, or presented in an IP-55 protective cabinet.

**CHARACTERISTICS**

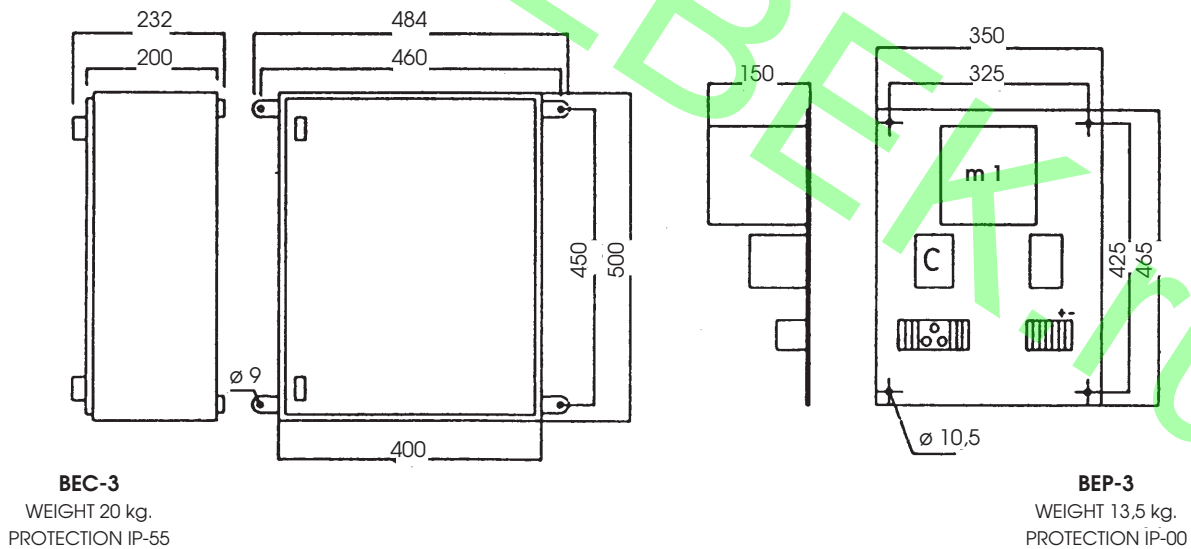
- Single phase connection voltage: Normal 220 / 380 / 400 / 420 / 440 / 460 / 480 V. (50 or 60 Hz.)
- Other voltages and frequencies when requested.
- If there is any possibility of drop under pulse: ask before order.
- Ambient temperature range: (-20°C ÷ +60°C.)

**OPTIONS**

- Thermal control.
- Voltage indicators.



**SIZE, WEIGHT AND PROTECTION**



**APPLICATIONS**

Calipers type	Calipers quantity	Max. cycles/hour	Power (w)		Caliper supply cable resistance	Primary fuses	
			Impulse	Economy		220 V.	380 V.
65 E or 5 E	1	1.500	900	30	0,2 Ω	6 A.	4 A.
	2	1.000	1.800	60	0,2 Ω	6 A.	4 A.
54 E or 4 E	1	1.000	1.200	40	0,1 Ω	10 A.	6 A.
	2	500	2.400	80	0,1 Ω	10 A.	6 A.

ANTEC guards for itself the right to modify dimensions or construction.



**DESCRIPTION AND OPERATION**

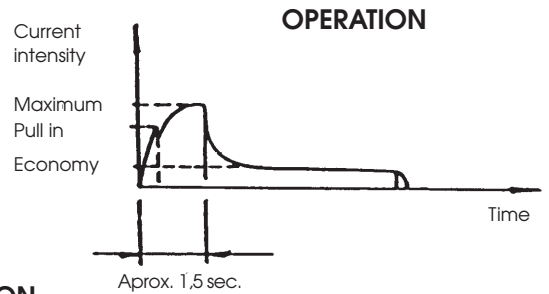
- A power supply suitable for rectifying and modulating electric current and providing sufficient pulse and economy power to activate the calipers.
- Instant caliper drop and braking.
- Available in two versions: unprotected, on an IP-00 mounting plate, or presented in an IP-55 protective cabinet.

**CHARACTERISTICS**

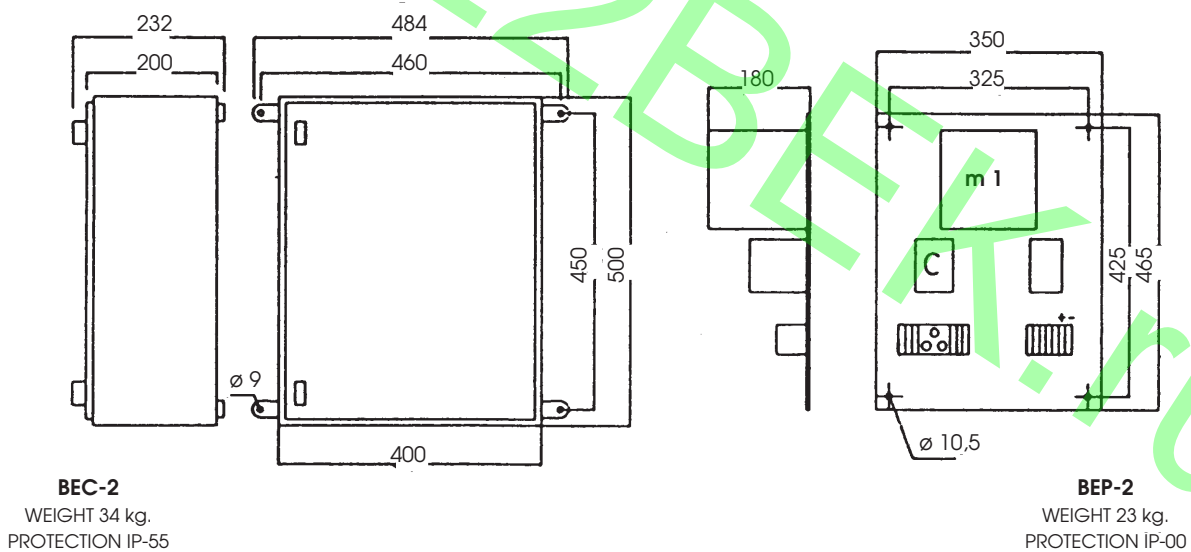
- Single phase connection voltage: Normal 220 / 380 / 400 / 420 / 440 / 460 / 480 V. (50 or 60 Hz.)
- Other voltages and frequencies when requested.
- If there is any possibility of drop under pulse: ask before order.
- Ambient temperature range: (-20°C ÷ +60°C.)

**OPTIONS**

- Thermal control.
- Voltage indicators.



**SIZE, WEIGHT AND PROTECTION**



**APPLICATIONS**

Calipers type	Calipers quantity	Max. cycles/hour	Power (w)		Caliper supply cable resistance	Primary fuses	
			Impulse	Economy		220 V.	380 V.
54 E or 4 E	1	1.200	1.200	40	0,1 Ω	10 A.	6 A.
	2	1.000	2.400	80	0,1 Ω	10 A.	6 A.
3 E or S2	1	750	3.000	80	0,1 Ω	16 A.	10 A.
	2	360	6.000	160	0,05 Ω	25 A.	16 A.
S1 T	1	360	5.000	160	0,05 Ω	25 A.	16 A.

ANTEC guards for itself the right to modify dimensions or construction.



**DESCRIPTION AND OPERATION**

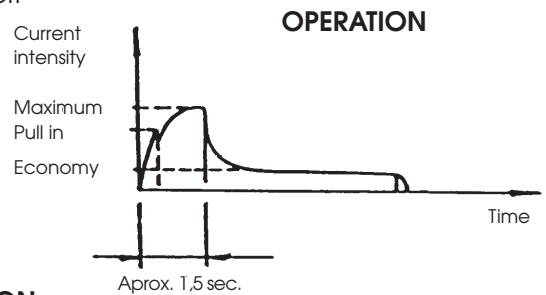
- A power supply suitable for rectifying and modulating electric current and providing sufficient pulse and economy power to activate the calipers.
- Instant caliper drop and braking.
- Available in two versions: unprotected, on an IP-00 mounting plate, or presented in an IP-55 protective cabinet.

**CHARACTERISTICS**

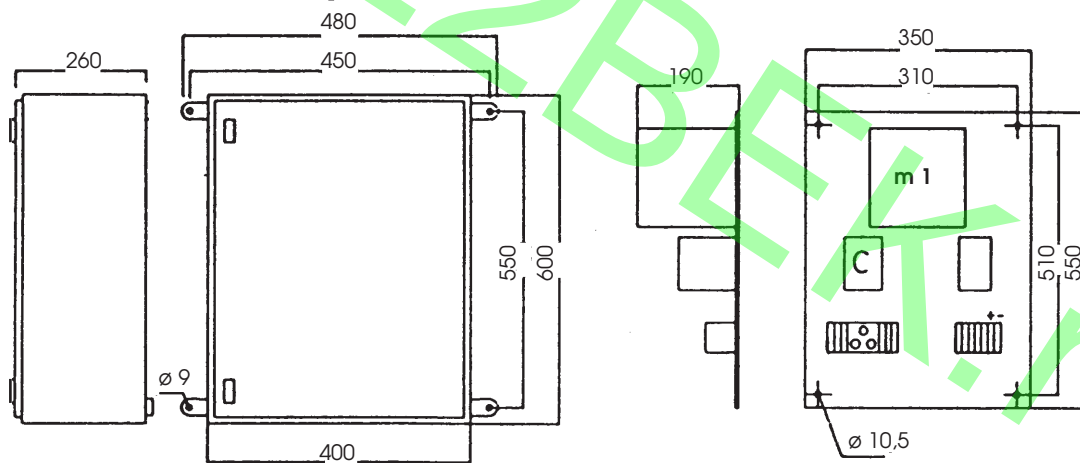
- Single phase connection voltage: Normal 220 / 380 / 400 / 420 / 440 / 460 / 480 V. (50 or 60 Hz.)
- Other voltages and frequencies when requested.
- If there is any possibility of drop under pulse: ask before order.
- Ambient temperature range: (-20°C ÷ +60°C.)

**OPTIONS**

- Thermal control.
- Voltage indicators.



**SIZE, WEIGHT AND PROTECTION**



**BEC-1**  
 WEIGHT 42 kg.  
 PROTECTION IP-55

**BEP-1**  
 WEIGHT 31 kg.  
 PROTECTION IP-00

**APPLICATIONS**

Caliper type	Calipers quantity	Max. cycles/hour	Power (w)		Caliper supply cable resistance	Primary fuses	
			Impulse	Economy		220 V.	380 V.
S0 T	1	300	7.000	300	0,1 Ω 0,05 Ω	40 A.	20 A.
	2	150	14.000	600		63 A.	40 A.

ANTEC guards for itself the right to modify dimensions or construction.

[www.22BEK.ru](http://www.22BEK.ru)



***antec***

APLICACION NUEVAS  
TECNOLOGIAS ANTEC, S.A.

Ramón y Cajal, 74  
48920 PORTUGALETE  
(Vizcaya) SPAIN  
Tels. (34-4) 496 50 11 - 34-4-495 84 51  
Fax (34-4) 496 53 37